



Features:

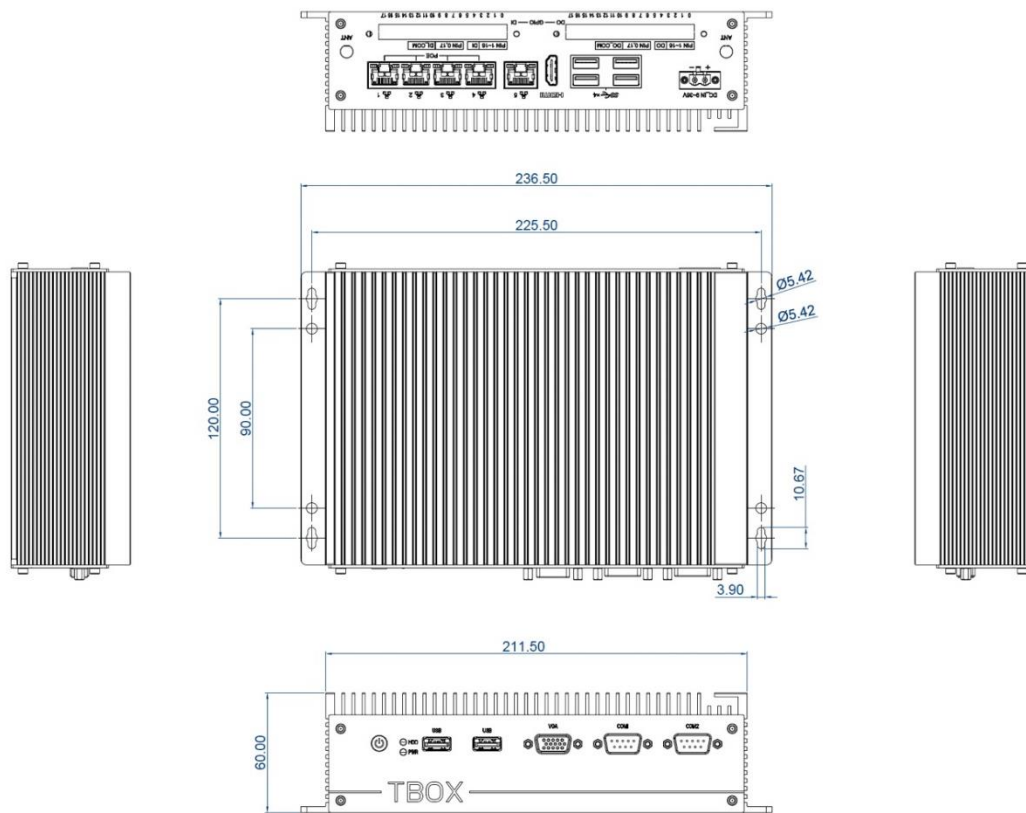
- Support Intel 11th Gen. Tiger Lake UP3 Core i7-1165G7 processors;
- 1* DDR4 memory socket, max. up to 32GB;
- 1* M.2 2280 (PCIe x4 NVMe), and 1* 2.5" SATA Storage;
- Two independent displays: 1* HDMI, 1* VGA;
- DC 9~36V input, with over-current, over-voltage, polarity protection;
- 5* GLAN (4* PoE), 4* USB3.0, 2* USB2.0, 2*COM;
- 1 Mini-PCIe slots for expansion;
- Industrial -20 ~ + 60°C operating temperature range.



Specification

System	BIOS	SPI AMI EEI BIOS
	CPU	Intel Core i7-1165G7
	CPU Ghz	Quad-core 2.8Ghz
	TDP	15W
	Memory	SO-DIMM, DDR4-2666/2933/3200 MT/s, Max. up to 32GB
	Storage	1* M.2 2280 (PCIe *4 NVMe), Optional support 1* 2.5" SATA3.0
	Graphic	Intel Iris Xe Graphic
	Network	5* Intel I211AT (Optional 3G/4G/Wi-Fi/BT)
	Audio	N/A
	Expansion	1* Full length Mini-PCIe expansional slot
	Watchdog	0 ~ 256 seconds programmable
Operating system	Win10, Win11, Linux	
IO interface	Serial port	COM1: RS232; COM2: RS485
	Ethernet	5* RJ45, 10/100/1000 Mbps, LAN 1~ LAN 4 support PoE 802.3 AF (Single port max. up to 15.4W, total less than 45W); LAN 5 support standard 10/100/1000 Mbps
	Audio	No
	USB	4* USB3.0, 2* USB2.0
	Display	1* HDMI, 1* VGA
	Power input	1* 2 pins, Phenix terminal
	GPIO (Optional)	32* GPIO (16* DI, 16* DO, with isolated) [TBOX-13211 Model]
Structure	Box structure and surface	Aluminum alloy, anodizing and anti-scratch treatment
	Color	Black + Silver
	Mount method	Desktop, wall mount
	Cooling system	Big area aluminum heatsinks, copper tube inside, fanless design
	Indicator & Button	Power switch, Power LED, HDD LED, remote switch
	Dimension	236.5 * 150 * 60 (mm)
	Net weight	About 1.60 KG
Power & Environmental	Operating temp.	-20 ~ + 70 °C
	Storage temp.	-40 ~ + 80 (°C)
	Humidity	10 ~ 95% @ 40C (No condensation)
	Vibration	50 ~ 500 Hz, 1.5G, 0.15mm peak to peak
	Shock	10 G/Peak (11 ms)
	Power input	DC 9~36V
	EMC	CE/FCC Class A

Dimensions (mm)



Ordering information

Part no.	Description
TBOX-13230	Intel Core i7-1165G7, 1*HDMI, 1*VGA, 5*RJ45, 4*USB3.0, 2*USB2.0, 1*RS232, 1*RS485, DC 9 ~36v, PSU
-4G / -8G/-16G/-32G	SO-DIMM, DDR4, <u>4GB/8GB/16GB/32GB</u>
-64GS /-128GS / -256GS / -512GS	M.2 NVMe SSD: <u>64GB/128GB/256GB/512GB</u>
	2.5" SATA SSD: <u>64GB/128GB/256GB/512GB/1TB</u>
	2.5" HDD: <u>1TB/2TB/4TB</u>
TBOX-WiFi	Wi-Fi module, with Antenna
TBOX-WiBlu	Wi-Fi module with BT integrated, with antenna
EC25-AU	All network 4G module, with Antenna

Packing List

- 1 unit standard Product
- 1 set 60W PSU (Power supply)
- 1 set Power Cable & Plug

