



Features:

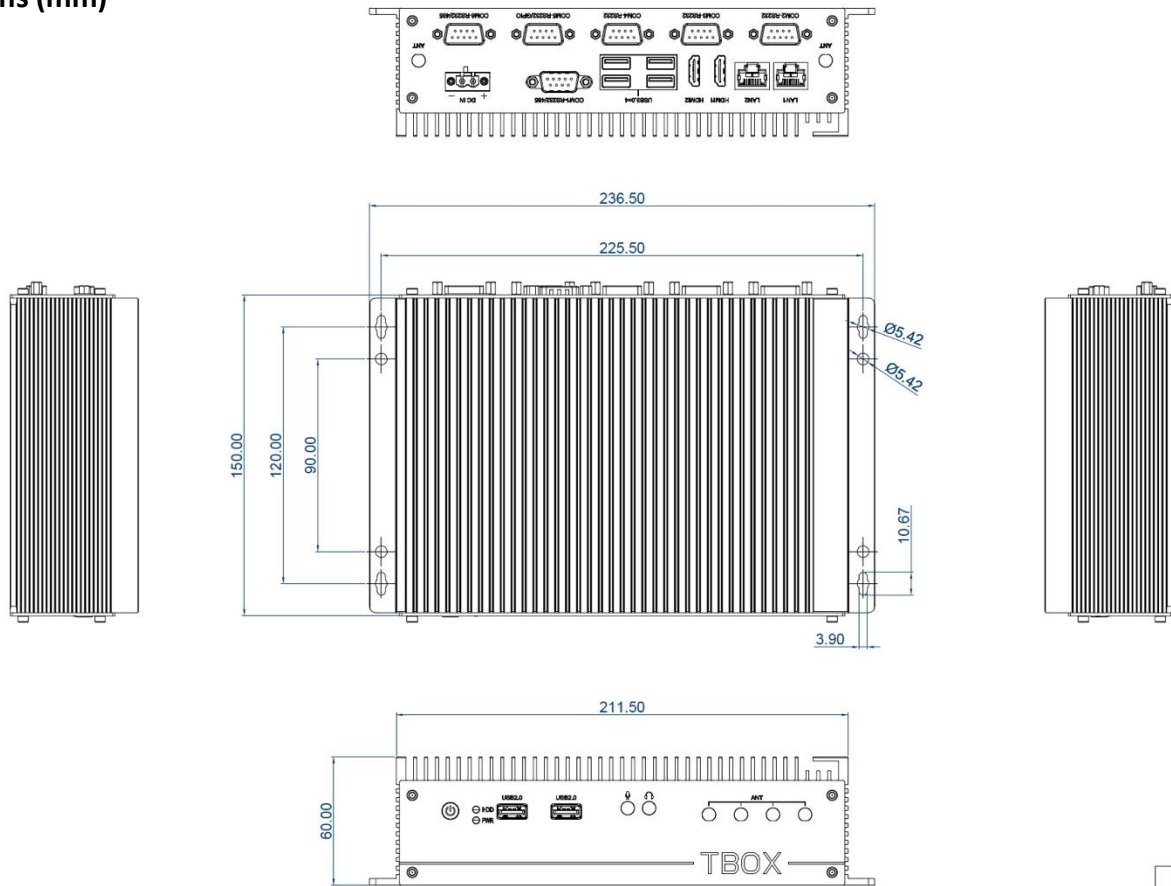
- Rugged & compact, fanless designed box structure;
- On-board Intel Whiskey Lake 8th-gen. Celeron 4205U Dual-core processor;
- Single DDR4 memory, up to 16GB, 1* M.2 and 1* 2.5" SATA storage;
- DC 12V input, optional wide voltage DC 9~36V input;
- 2 GLAN, Dual wireless expansion 4G/5G, WIFI/BT support;
- 6 USB (4 USB3.0), 6 COM (optional GPIO), 2 HDMI;
- Industrial -20 ~ + 70°C operating range, optional -40~+80 °C.



Specification

System	BIOS	SPI AMI EEI BIOS
	CPU	Intel Celeron 4205U
	CPU Ghz	Dual-core 1.8Ghz, TDP 15W
	TPM	Intel PTT TPM2.0
	Memory	SO-DIMM, DDR4-1866/2133/2400 MT/s, Max. up to 16GB
	Storage	1*M.2 NGFF Key-M/B slot (NVME/SATA SSD, 2242/2280), 1* 2.5" SATA
	Graphic	Intel UHD Graphics 610
	Network	2* Intel I211 GBE LAN chip, Optional WIFI+BT (M.2 2230), 4G/5G (M.2 3042/3052)
	Audio	On-board Realtek ACL 662 Audio controller
	Expansion	1* M.2 Key-B slot, 1* M.2 Key-E slot
	Watchdog	0 ~ 256 seconds programmable
Operating system	Win10 /Win11, Linux	
IO interface	Serial port	COM1: RS485 (Optional RS232), COM2/3/4: RS232, COM5: RS232 (Optional GPIO), COM 6: RS485 (Optional RS232)
	Ethernet	2* RJ45, 10/100/1000 Mbps
	Audio	Optional Mic-in/Line-out
	USB	4* USB3.0 + 2* USB2.0
	Display	2* HDMI (Max. support 4096 * 2160 @30Hz)
	Power input	1* 2 pins, Phenix terminal
	Optional	8* GPIO (DB9)
Structure	Box structure and surface	Aluminum alloy, anodizing and anti-scratch treatment
	Color	Silver
	Mount method	Desktop, wall mount
	Cooling system	Finned aluminum heatsinks
	Indicator & Button	Power switch, Power LED, HDD LED
	Dimension	236.5 * 150 * 60 (mm)
	Net weight	About 1.6 KG
	Power & Environmental	Operating temp.
	Storage temp.	-40 ~ + 80 °C
	Humidity	10 ~ 95% @ 10C (No condensation)
	Vibration	50 ~ 500 Hz, 1.5G, 0.15mm peak to peak
	Shock	10 G/Peak (11 ms)
	Power input	DC 12V (Optional DC 9~36V)
	Power consumption	About 25W
	EMC	CE/FCC Class A

Dimensions (mm)



Ordering information

Part no.	Description
TBOX-12805	Intel Whiskey Lake Celeron 4205U, 2 RJ45, 4 USB3.0, 2 USB2.0, 6 COM, 2 HDMI, DC 12V
TBOX-12815	Intel Whiskey Lake Core i3-8145U, 2 RJ45, 4 USB3.0, 2 USB2.0, 6 COM, 2 HDMI, DC 12V
TBOX-12825	Intel Whiskey Lake Core i5-8265U, 2 RJ45, 4 USB3.0, 2 USB2.0, 6 COM, 2 HDMI, DC 12V
TBOX-12835	Intel Whiskey Lake Core i7-8565U, 2 RJ45, 4 USB3.0, 2 USB2.0, 6 COM, 2 HDMI, DC 12V
-2G / -4G / -8G	Memory: SO-DIMM, DDR4, <u>4GB/8GB/16GB</u>
-64GS / -128GS / -256GS / -512GS	M.2 SSD: <u>128GB/256GB/512GB</u>
TBOX-WiFi-M2	Wi-Fi module, with Antenna (M.2 interface)
TBOX-WiBlu-M2	Wi-Fi module with BT integrated, with antenna (M.2 interface)
	All network 4G module, with Antenna (M.2 interface) 5G module, with antenna (M.2 interface)
DC modules	DC to DC, Wide voltage DC 9~36v

Packing List

■ 1 unit standard Product
■ 1 set 60W PSU (Power supply)
■ 1 set Power Cable & Plug

