



Features

- 12.1" TFT LCD display, LED Backlit, XGA 1024 *768;
- Intel 8th -gen. Whiskey Lake -U, Celeron Core i3/i5/i7 processor;
- Multi-point projected capacitive touch, or 5-wire resistive touch;
- Aluminum-magnesium alloy, anodized treatment, Modular designed;
- DC 9~24V, with over-current, over-voltage and polarity protection;
- 2*GLAN, 8*USB, 6*COM, 1*HDMI, 1*VGA, Line-out;
- Fan-less & Rich IO design, Panel mount, VESA, Front IP65 protection.

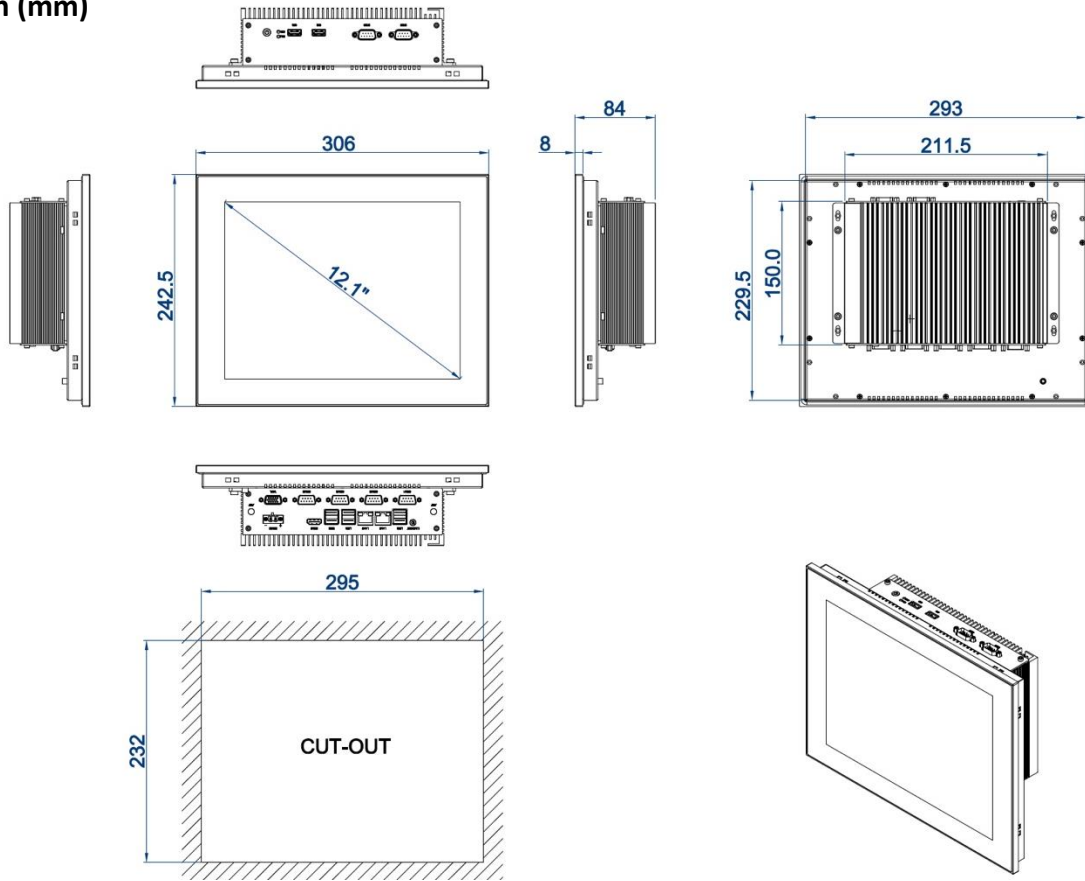


Specification

Hardware & System	BIOS	SPI AMI EEI BIOS			
	CPU	Celeron 4205U, Dual core	i3-8145U, Dual core	i5-8265U, Quad-core	i7-8565U, Quad-core
		1.8Ghz	2.1Ghz, burst to 3.9Ghz	1.5Ghz, burst to 3.9Ghz	1.8Ghz, burst to 4.6Ghz
	Memory	SO-DIMM, DDR4, max. up to 16GB			
	Storage	1*mSATA (Optional support 1* 2.5" SATA)			
	Graphic	Intel HD Graphics 620			
	Network	2* Intel I211AT (Optional 3G/4G/Wi-Fi)			
	Audio	On-board Realtek ACL 269 audio controller			
	Expansion	1* Full size Mini-PCIe slot			
	Watch dog	0~256 seconds programmable			
OS	Win10, Linux				
IO interface	COM	6x RS232 (Support 1x RS485)			
	Ethernet	2x RJ45, 10/100/1000 Mbps			
	Audio	Line-out			
	USB	4x USB3.0, 4x USB2.0			
	Display	1x HDMI, 1x VGA			
	Power	1x 2 pins, phenix terminal			
LCD Display	Size/Tvoe	12.1" TFT LCD			
	Resolution	1024 * 768 (XGA)			
	Brightness	350 nits			
	Backlit & MTBF	LED backlit & 30 000hours			
	Display area	245.76 * 184.32			
	View angle	80/80/80/80			
Touchscreen	Tvoe	Proiective capacitive touchscreen / Wide temp. 5-wires Resistive touchscreen. EETI controller			
	Touch points	Multi points touch, max. up to 10 points (PCap) / Single touch (Resistive)			
	Durability	>100 000 000 times (PCap) / 35 million clicks@ 250g (Resistive)			
	Surface hardness	Glass, Mohs 6H hardness (PCap) / PET film laminated, flat design (Resistive)			
	Special treatment	Anti-fingerprint (PCap)			
Structure	Structure and surface	Magnesium-Aluminum alloy, sand blasting, anodized treatment			
	Mount method	Panel mount (Optional support VESA 75/100 mount)			
	Cooling system	Large area finned heat sink			
	Overall dimension	306.0 * 242.5 * 84.0 (mm)			
	Cut-out dimension	295 * 232 (mm)			
	Net weight	4.2 KG			
	IP protection	Front Panel IP65			
Power & Environmental	Operating temp.	-20 ~ +70°C			
	Storage temp.	-30 ~ +80°C			
	Relative Humidity	10 ~ 95% @ 10C (Non-condensation)			
	Vibration	50 ~ 500 Hz, 1.5G, 0.15mm peak to peak			
	Shock	10G/Peak (11 ms)			

Power input	DC 9~24V
Power consumption	Around 35W
EMC	CE/FCC Class A

Dimension (mm)



Ordering info.

Part no.	Description
PPC-121-W0-CT	12.1", 1024 * 768, Celeron 4205U , Pcap. touch, 2*GLAN, 8*USB, 6*COM, 1*HDMI, 1*VGA, Line-out, DC 9~24V
PPC-121-W1-CT	12.1", 1024 * 768, Core i3-8145U , Pcap. touch, 2*GLAN, 8*USB, 6*COM, 1*HDMI, 1*VGA, Line-out, DC 9~24V
PPC-121-W2-CT	12.1", 1024 * 768, Core i5-8265U , Pcap. touch, 2*GLAN, 8*USB, 6*COM, 1*HDMI, 1*VGA, Line-out, DC 9~24V
PPC-121-W3-CT	12.1", 1024 * 768, Core i7-8565U , Pcap. touch, 2*GLAN, 8*USB, 6*COM, 1*HDMI, 1*VGA, Line-out, DC 9~24V
PPC-121-W0-RT	12.1", 1024 * 768, Celeron 4205U , Resistive touch, 2*GLAN, 8*USB, 6*COM, 1*HDMI, 1*VGA, Line-out, DC 9~24V
PPC-121-W1-RT	12.1", 1024 * 768, Core i3-8145U , Resistive touch, 2*GLAN, 8*USB, 6*COM, 1*HDMI, 1*VGA, Line-out, DC 9~24V
PPC-121-W2-RT	12.1", 1024 * 768, Core i5-8265U , Resistive touch, 2*GLAN, 8*USB, 6*COM, 1*HDMI, 1*VGA, Line-out, DC 9~24V
PPC-121-W3-RT	12.1", 1024 * 768, Core i7-8565U , Resistive touch, 2*GLAN, 8*USB, 6*COM, 1*HDMI, 1*VGA, Line-out, DC 9~24V
-4G / -8G / -16G	Memory: SO-DIMM, DDR4, <u>4GB/8GB/16GB</u> Memory
-64GS / -128GS / -256GS / -512GS	mSATA SSD: <u>64GB/128GB/256GB/512GB</u> 2.5" SATA SSD: <u>256GB/512GB</u> 2.5" HDD: <u>1TB/2TB/4TB</u>
TBOX-WIFI	Wi-Fi module, with Antenna
TBOX-WIBlu	Wi-Fi with BT integrated module, with Antenna
EC25-AU-PCKit	All network 4G/LTE module, With Antenna
TA-VESAB1	Additional VESA bracket for VESA mounting

Packing List

■	1x Standard Product
■	1x 90W PSU (Power Supply)
■	1x Power cable & Plug
■	8x Panel mount metal clips