



## Features

- 12.1" TFT LCD display, LED Backlit, XGA 1024 \*768;
- Intel Baytrail J1900 2.0Ghz Quad-core processor;
- Multi-point projected capacitive touch, or 5-wire resistive touch;
- Aluminum-magnesium alloy, anodized treatment, Modular designed;
- DC 9~24V, with over-current, over-voltage and polarity protection;
- 2\*GLAN, 5\*USB, 6\*COM, 1\*HDMI, 1\*VGA, Mic-in/Line-out;
- Fan-less & Rich IO design, Panel mount, VESA, Front IP65 protection.



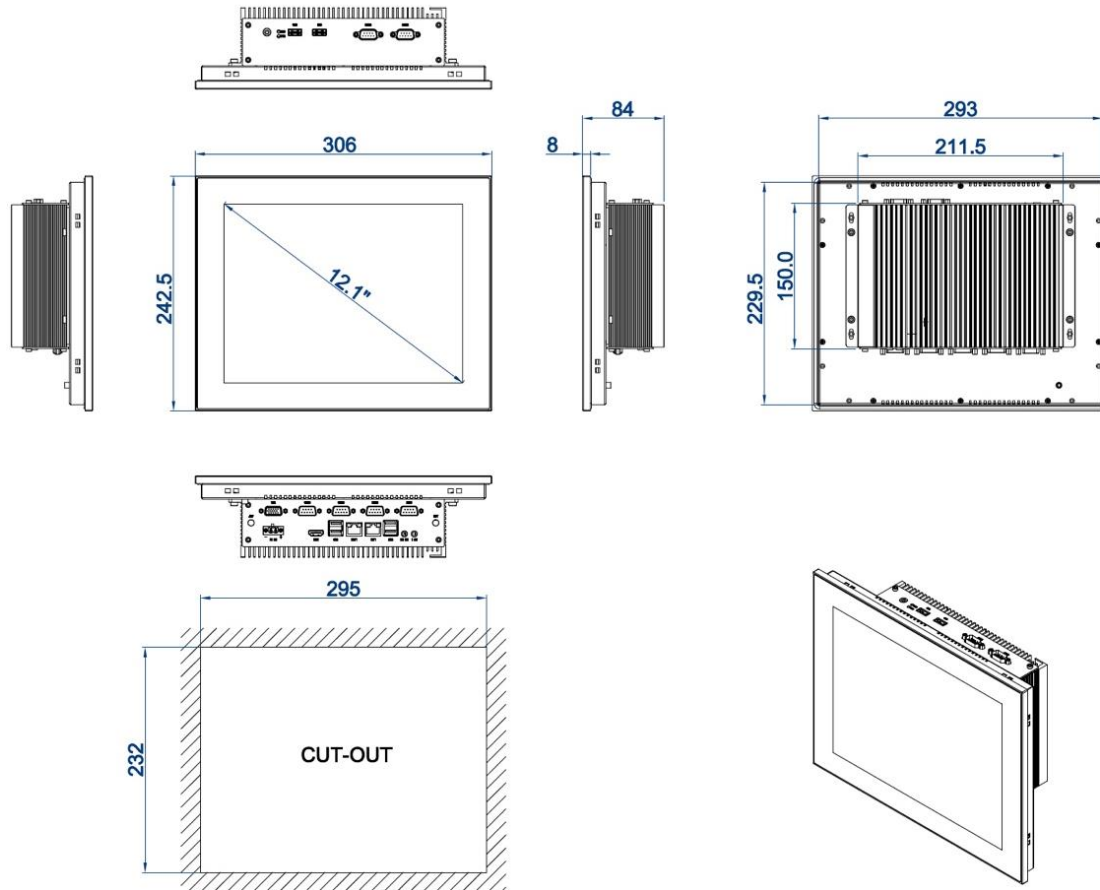
## Specification

<b>Hardware &amp; System</b>	BIOS	SPI AMI EEI BIOS
	CPU	Intel Baytrail J1900, Quad-core 2.0Ghz, burst to 2.42Ghz
	Memory	SO-DIMM, DDR3L-1333, Max. up to 8GB (Compatible with DDR3)
	Storage	1*mSATA (Optional support 1* 2.5"SATA)
	Graphic	Intel HD Graphic Gen 7
	Network	2* Intel I211AT (Optional 3G/4G/Wi-Fi)
	Audio	On-board Realtek ACL 282 audio controller
	Expansion	1* Full size Mini-PCIe slot
	Watch dog	0~256 seconds programmable
	OS	Win7, Win8, Win embedded, Win10, Linux
	<b>IO interface</b>	COM
Ethernet		2x RJ45, 10/100/1000 Mbps
Audio		Mic-in/Line-out
USB		1x USB3.0, 4x USB2.0
Display		1x HDMI, 1x VGA
Power		1x 2 pins, phenix terminal
<b>LCD Display</b>		Size/Type
	Resolution	1024 * 768 (XGA)
	Brightness	350 nits
	Backlit & MTBF	LED backlit & 30 000hours
	Display area	245.76 * 184.32
	View angle	80/80/80/80
<b>Touchscreen</b>	Type	Projective capacitive touchscreen / Wide temp. 5-wires Resistive touchscreen, EETI controller
	Touch points	Multi points touch, max. up to 10 points (Pcap) / Single touch (Resistive)
	Durability	>100 000 000 times (PCap) / 35 million clicks@ 250g (Resistive)
	Surface hardness	Glass, Mohs 6H hardness (PCap) / PET film laminated, flat design (Resistive)
	Special treatment	Anti-fingerprint (PCap)
<b>Structure</b>	Structure and surface	Magnesium-Aluminum alloy, sand blasting, anodized treatment
	Mount method	Panel mount (Optional support VESA 75/100)
	Cooling system	Large area finned heat sink
	Overall dimension	306.0 * 242.5 * 84.0 (mm)
	Cut-out dimension	295 * 232 (mm)
	Net weight	4.2 KG
	IP protection	Front Panel IP65
<b>Power &amp; Environmental</b>	Operating temp.	-20 ~ +70°C
	Storage temp.	-30 ~ +80°C
	Relative Humidity	10 ~ 95% @ 10C (Non-condensation)
	Vibration	50 ~ 500 Hz, 1.5G, 0.15mm peak to peak
	Shock	10G/Peak (11 ms)
	Power input	DC 9~24V
	Power consumption	Around 30W

EMC

CE/FCC Class A

## Dimension (mm)



## Ordering info.

Part no.	Description
PPC-121-C1-CT	12.1", 1024 * 768, Intel Baytrail J1900, Pcap. touch, 2*GLAN, 5*USB, 6*COM, 1*HDMI, 1*VGA, Mic-in/Line-out, DC 9~24V
PPC-121-C1-RT	12.1", 1024 * 768, Intel Baytrail J1900, Resistive touch, 2*GLAN, 5*USB, 6*COM, 1*HDMI, 1*VGA, Mic-in/Line-out, DC 9~24V
-2G / -4G / -8G	Memory: SO-DIMM, DDR3, 2GB/4GB/8GB Memory
-64GS / -128GS / -256GS / -512GS	mSATA SSD: <u>64GB/128GB/256GB/512GB</u> 2.5" SATA SSD: <u>256GB/512GB</u> 2.5" HDD: <u>1TB/2TB/4TB</u>
TBOX-WIFI	Wi-Fi module, with Antenna
TBOX-WiBlu	Wi-Fi with BT integrated module, with Antenna
EC25-AU-PCKit	All network 4G/LTE module, With Antenna
TA-VESAB1	Additional VESA bracket for VESA mounting

## Packing List

■ 1x Standard Product
■ 1x 60W PSU (Power Supply)
■ 1x Power cable & Plug
■ 8x Panel mount metal clips

